

Telguard Digital model TG-4

QUICK INSTALLATION GUIDE

Installation Summary

There are six steps in installing Telguard properly. **IF YOU DO NOT PROCEED IN THE ORDER AND MANNER PRESCRIBED, YOU MAY NOT COMPLETE THE INSTALLATION IN THE TIME ALLOCATED.**

STEP 1: REGISTER FOR CELLULAR SERVICE

Complete the Activation Form online at www.Telguard.com or fax the form to Telular Cellular Service **prior to leaving for the job site.** Telular requires this information to register and activate the unit.

STEP 2: LOCATE UNIT AND MEASURE SIGNAL STRENGTH (RSSI)

Second, you will be confirming that Telguard has adequate cellular signal strength. Put J10 across both pins, LEDs will now indicate signal strength, minimum recommended is 2 ½ (2 on solid and the third flashing).

STEP 3: TRANSMIT C/C ALARMS OVER THE TELCO CONNECTION

Connect C/C and telco line to the Telguard. Trip a simple alarm on the C/C and transmit over the telco line. This step is important to verify that the C/C is programmed with valid account code and central station information before transmitting signals through the cellular network.

STEP 4: PROGRAM, ACTIVATE & TRANSMIT C/C ALARMS OVER THE CELLULAR RADIO NETWORK

Next, you will be programming the Telguard unless the default settings are what you want. Then connect the C/C's digital dialer output to Telguard and verify that alarm signals can be reliably sent over cellular to the central station digital receiver. The incoming telco line is not connected to Telguard during this step. A minimum of two alarm signals must be transmitted.

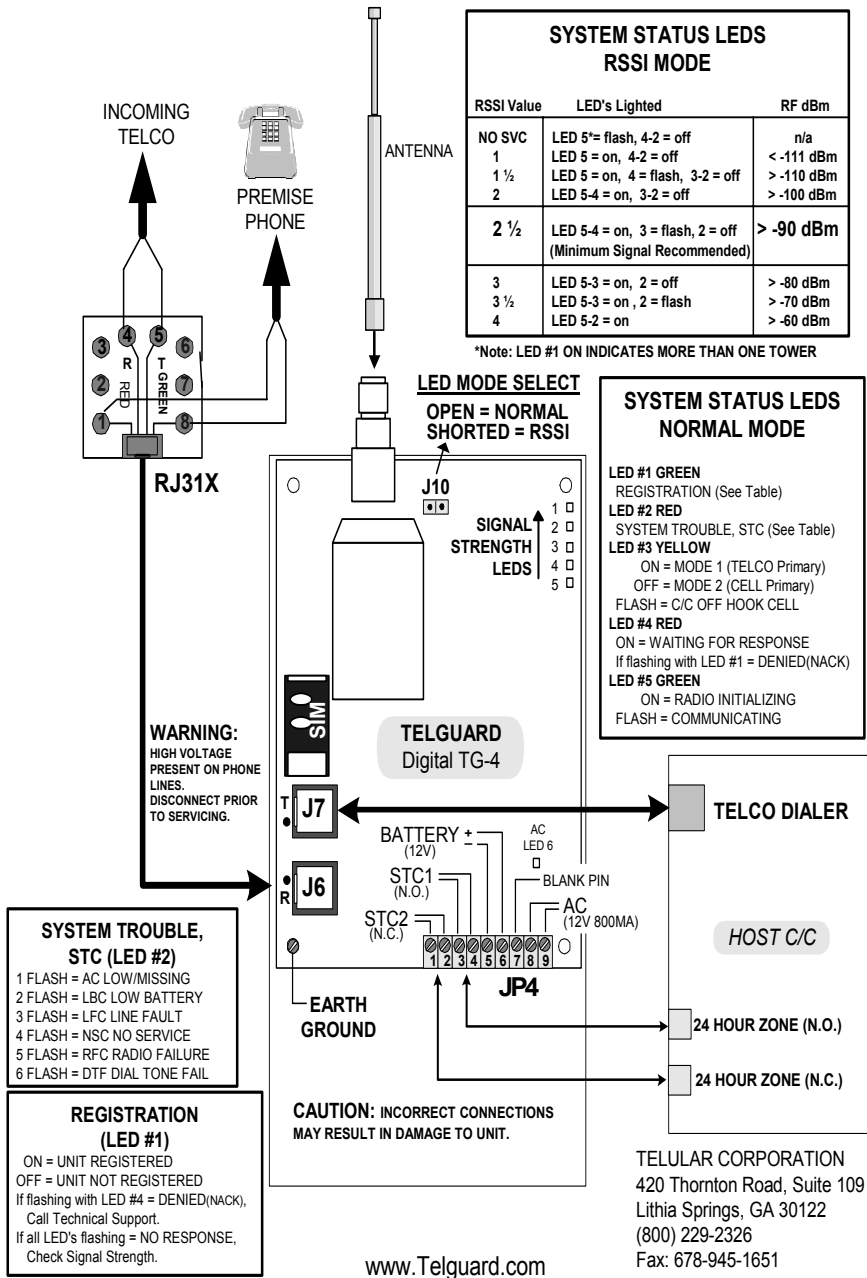
(NOTE: THE FIRST ALARM WILL CONFIRM REGISTRATION AND ACTIVATE THE UNIT WITH THE TELULAR COMMUNICATION CENTER. IT WILL NOT BE TRANSMITTED TO THE CENTRAL STATION. ALL SIGNALS AFTER THE FIRST ARE SENT TO THE CENTRAL STATION.)

STEP 5: CONNECT SUPERVISORY TRIP OUTPUTS

Next, you will wire Telguard's supervisory trip outputs to the C/C and then test.

STEP 6: COMPLETE THE INSTALLATION

Your last step will be to check the jumper setting of J10 (LED mode, open = normal), attach earth ground, and permanently mount the unit.



www.Telguard.com

TELULAR CORPORATION
420 Thornton Road, Suite 109
Lithia Springs, GA 30122
(800) 229-2326
Fax: 678-945-1651

REFER TO INSTALLATION AND OPERATING INSTRUCTIONS MANUAL.
THIS DEVICE COMPLIES WITH FCC RULES PART 68 AND 15.

Setup & Programming the Operating Parameters in the Telguard

When the Telguard is received from the factory and is powered up for the first time, it is immediately ready to confirm registration & activate, provided the default settings are what you want (Note: Activation Form must be sent to Telular prior to activation). The STC LED #2 will flash to indicate any failure conditions. The yellow MODE LED #3 will be on and the STC relay will be tripped. If changes are required to the default settings, the Telguard can be programmed using a line-mans butt-set connected to T & R Test Points or a POTS phone connected to J7 (black connector where the C/C is normally connected).

TO PROGRAM THE TELGUARD

- A. Put the line-mans butt-set in talk mode or pick up the POTS phone.
- B. Connect power to the Telguard, when ready for programming you will hear 2 beeps.
- C. Press #, *, this will put the Telguard into a Master Access programming mode, 2 beeps.
- D. Enter changes required. The syntax for programming a specific memory location is as follows:

MEMORY LOC. (3-digits), will respond with 2 beeps, then VALUE, will respond with 2 beeps.

- E. Then press *, you will hear 2 beeps then hang up. This saves the change and exits the programming mode.

MEMORY LOC.	FIELD	DEFAULT VAULE	SETTINGS
831	Mode of operation	1	1 = Telco Primary/Cellular Backup 2 = Cellular Primary/Telco Backup
833	C/C Reporting Format	09	01= 4x2 pulse, 40pps 2300 hz 02= 4x2 pulse, 20pps 2300 hz 03= 4x2 pulse, 20pps 1400 hz 04= 3x1 pulse, 40pps, 2300 hz 05= 3x1 pulse, 20pps, 2300 hz 06= 3x1 pulse, 10pps, 1400 hz 07= Radionics Ile or Illa ² 08 = Contact ID 09 = Auto Format Detect 11 = SIA2 (300 Baud) 12 = DMP
850	STC 1 Trip Output Reporting Normally Open	04	Enter the SUM TOTAL of the events that you wish to trip the STC relay by ADDING the corresponding values: 00 = STC Trip Input Not Used 01 = AC Failure 04 = LFC 16 = RFC 02 = Low Battery 08 = NSC 31 = All
851	STC 2 Trip Output Reporting Normally Closed	27	Enter the SUM TOTAL of the events that you wish to trip the STC relay by ADDING the corresponding values: 00 = STC Trip Input Not Used 01 = AC Failure 04 = LFC 16 = RFC 02 = Low Battery 08 = NSC 31 = All
852	STC Trip Delay for LFC and NSC	1	1=30 Seconds 2=60 Seconds
861	CFC Number of Events	0	0 = disabled 2 = 4 attempts 1 = 2 attempts 3 = 8 attempts
862	CFC between Events	1	1 = 30 seconds 3 = 70 seconds 5 = 90 seconds 2 = 60 seconds 4 = 80 seconds 6 = 99 seconds
872	AC Failure Delay	02	0-24 hours, default = 2 hours
899	Factory Default Unit		

NOTE: SPECIAL LED INDICATIONS DURING ACTIVATION

If the Telguard fails to confirm registration it will be displayed on the LEDES:

SYSTEM STATUS LEDES	REGISTRATION INDICATIONS
ALL LEDES FLASHING	FAILED REGISTRATION – SIGNAL TOO WEAK
LED #1 & LED #4 FLASHING	REGISTRATION ERROR – CALL TECHNICAL SUPPORT
LED #1 ON	REGISTRATION SUCCESSFUL

On either a **FAILED** or **REGISTRATION ERROR**, the unit **MUST BE RESET** by putting the J10 (RSSI jumper) in the “**SHORTED**” position. The registration **MESSAGE MUST BE RESENT** or the **TELGUARD** will transmit all signals through the telco connection.